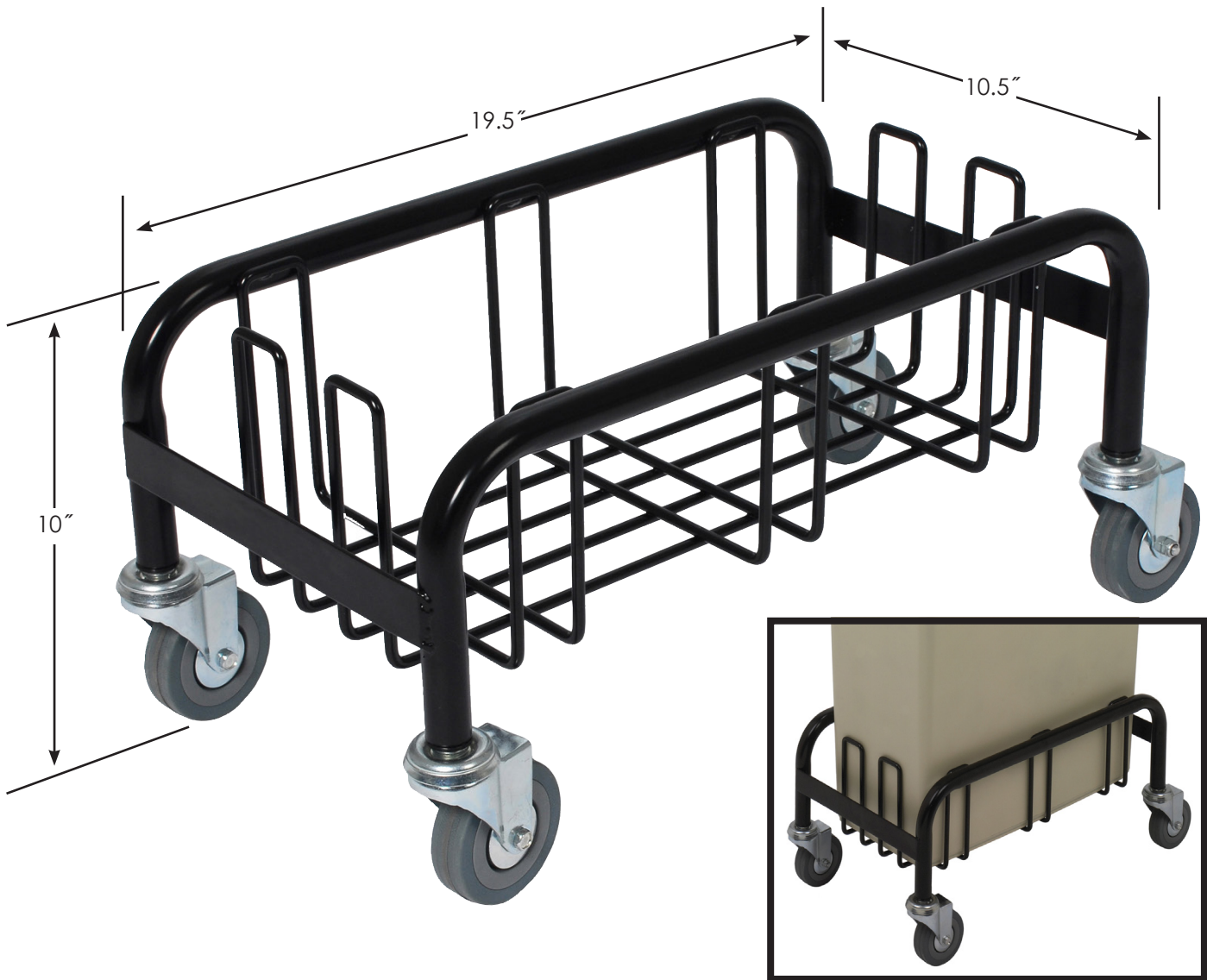


Wall Hugger Dolly

Detailed Description: #8320 Wall Hugger Dolly
Material: Powder-Coated Steel
Casters: 3" Non-Marking, All-Swivel, Grey
Designed to Fit: #8322 or #8323VL Wall Hugger®
Receptacles and competitive units
Capacity: 150 lb. (US)
Available Colors: Black

Pack Quantity: 2 Each / Pack
Shipping Weight: 19.50 lbs.
Pack Cube: 1.87 ft.
Modular Quantity: 24 packs / Mod
TI x HI: 4 x 6



Shown with Wall Hugger



CONTINENTAL
COMMERCIAL PRODUCTS®

© 2020, CCP | ccpmfg.com | 800.325.1051