

LOADING INSTRUCTIONS

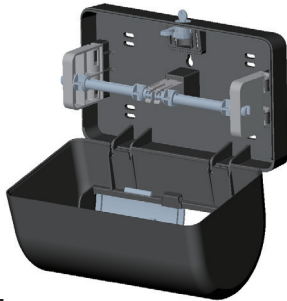
Twin Hi-Capacity Small Core Tissue Dispenser

[Click to Watch the How To Video](#)



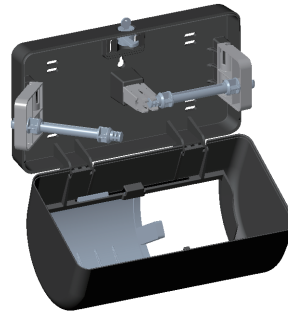
Step 1-

Insert key into lock at top of dispenser.
Open front cover being careful not to allow the front cover to drop freely.



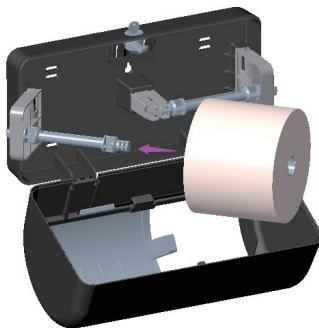
Step 2-

At the center of the left-side tissue spindle, pull to detach and move the spindle to the open position as shown.



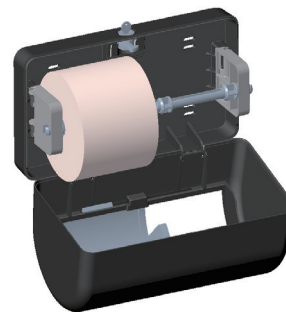
Step 3-

Load the left side tissue roll ensuring that the leading edge of tissue paper is dispensed from the front of the roll.



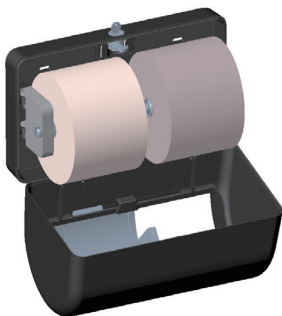
Step 4-

Rotate the left spindle back to the closed position making sure to "snap" the spindle into the locked position as shown.



Step 5-

Use the same process (steps 2-4) to load the right-side tissue spindle.

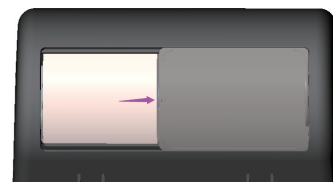


Step 6-

Before closing the front cover, locate the front sliding door in the desired starting position (left side justified, or right side justified).



Or



Step 7-

Securely close the front cover of the dispenser and ensure that lock latch is secure. The dispenser is now ready to dispense paper. Simply pull paper from the bottom to dispense.

