



## SUIM-160 ICE MACHINE

INCLUDE 2 YEAR PARTS + LABOR / 5 YEAR COMPRESSOR WARRANTY

### Dimensions

Dimensions (WxDxH)	26" x 27" x 38.1"
Output (lb/24hr)	160 lbs
Bin Capacity	80 lbs
Net Weight	121 lbs
Gross Weight	144 lbs
Packaging Dimensions (WxDxH)	30.7" x 29.3" x 35.4"
Ice Cube Size half cube	.86"x.86".86"

### Construction

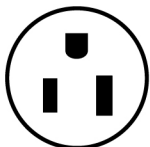
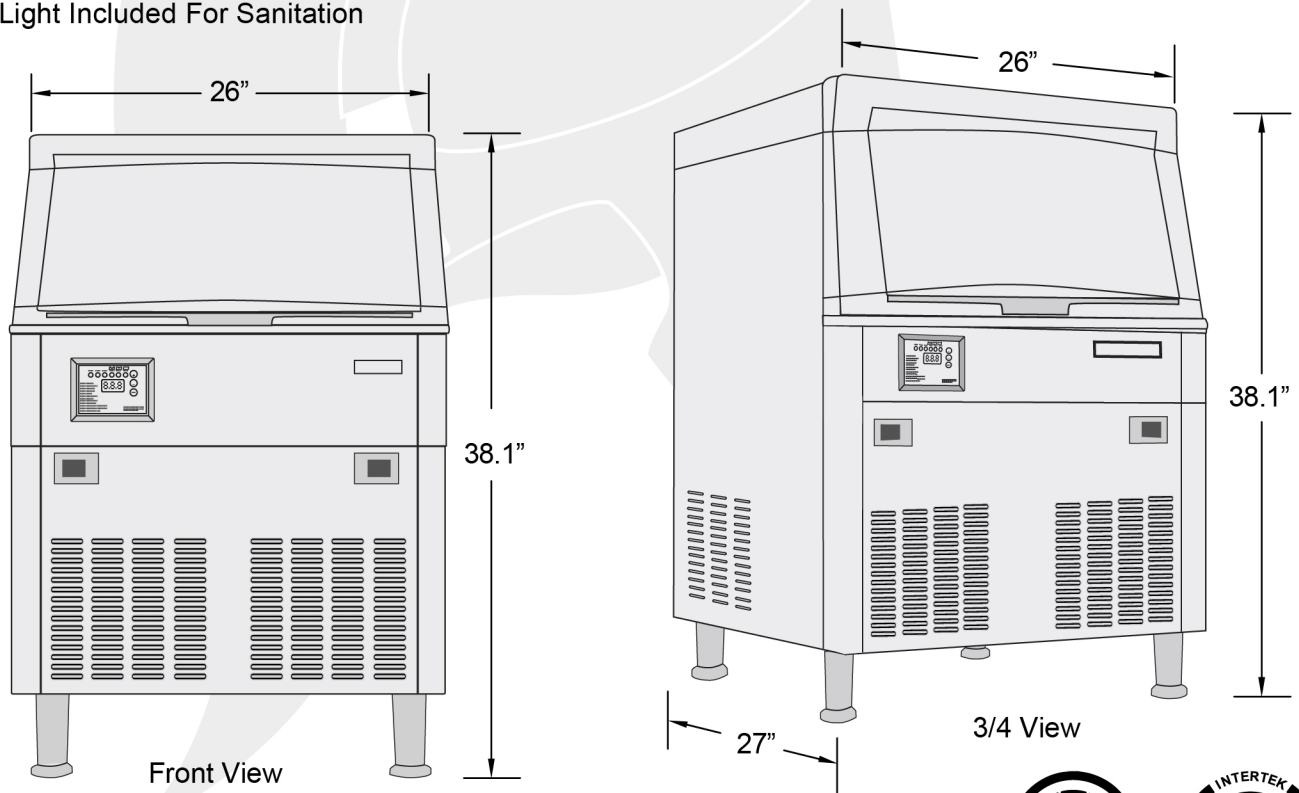
Exterior Material	304 stainless steel
Interior Material	Polyethylene
Water Filter Capacity	2.2 GPM
UV Light Included For Sanitation	

### Cooling

Refrigerant	R290
Temperature Display	Yes
Temperature Controller	Digital
Condenser Unit	Air
Compressor	Secop

### Electrical

Voltage	115
Power	451W
Hz	60



NEMA 5-15P



Intertek

COMPLIES WITH ANSI/NSF 7 FOR FOOD SERVICE