



# SST-72-30 3 DOOR MEGA TOP SANDWICH/SALAD PREP REFRIGERATOR

UNITS MANUFACTURED PRIOR 10-1-18  
 INCLUDE 1 YEAR PARTS + LABOR / 5 YEAR COMPRESSOR WARRANTY

UNITS MANUFACTURED AFTER 10-1-18  
 INCLUDE 2 YEAR PARTS + LABOR / 5 YEAR COMPRESSOR WARRANTY

## Dimensions

Exterior Dimensions (WxDxH)	70.25" x 34" x 46.25"
Interior Dimensions Top (WxDxH)	66" x 21.5" x 8.5"
Interior Dimensions Bottom (WxDxH)	67" x 19.5" x 20"
Cutting Board Dimensions (WxDxH)	70.25" x 8.0" x .75"
Net Volume (cu. ft.)	18 cu. ft.
Gross Weight	523 lbs
Packaging Dimensions (WxDxH)	75" x 38.5" x 49.5"
Electrical Cord Length	98.5"

## Cooling

Temperature Range	33° - 40° F
Refrigerant	R290
Maximum Ambient Temperature Rating	90° F
Defrosting	Automatic
Temperature Display	Yes
Temperature Controller	Digital
H/P	1/2

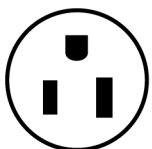
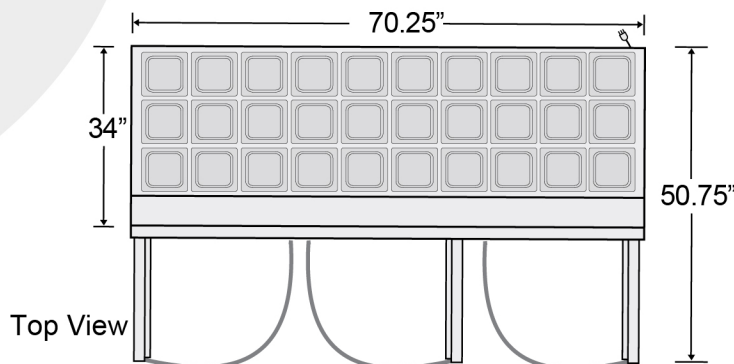
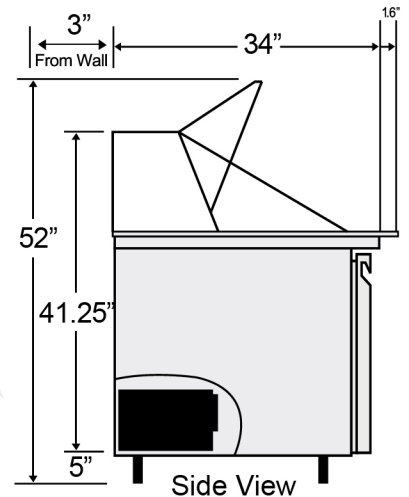
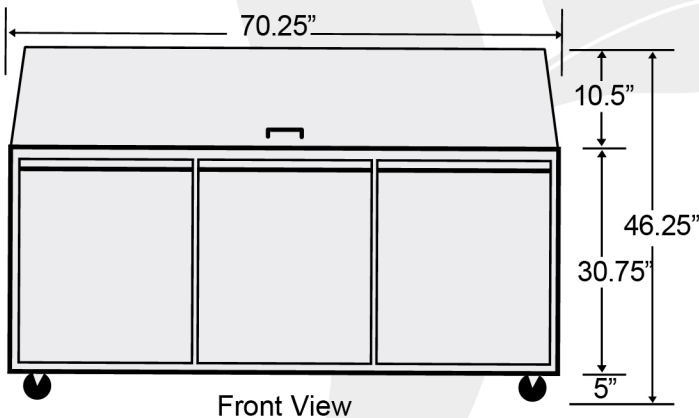
## Construction

Exterior Material	430 series stainless steel
Interior Material	304 series stainless steel
Insulation Material	Foamed in place polyurethane
Shelf Material	Plastic coated steel
Shelf Load Capacity	90 lbs

\*Does not include pans

## Electrical

Voltage	120
Amps	9.2
Hz	60



NEMA 5-15P



COMPLIES WITH ANSI/NSF 7 FOR FOOD SERVICE