



SST-27 1 DOOR SANDWICH/SALAD PREP REFRIGERATOR

UNITS MANUFACTURED PRIOR 10-1-18

INCLUDE 1 YEAR PARTS + LABOR / 5 YEAR COMPRESSOR WARRANTY

UNITS MANUFACTURED AFTER 10-1-18

INCLUDE 2 YEAR PARTS + LABOR / 5 YEAR COMPRESSOR WARRANTY

Dimensions

Exterior Dimensions (WxDxH)	27.5" x 29.5" x 42.5"
Interior Dimensions Top (WxDxH)	24" x 14.5" x 8.75"
Interior Dimensions Bottom (WxDxH)	24" x 19.5" x 24"
Cutting Board Dimensions (WxDxH)	27.5" x 10.5" x .75"
Net Volume (cu. ft.)	5.75 cu. ft.
Gross Weight	255 lbs
Packaging Dimensions (WxDxH)	32" x 34" x 46.5"

Cooling

Temperature Range	33° - 40° F
Refrigerant	R290
Maximum Ambient Temperature Rating	90° F
Defrosting	Automatic
Temperature Display	Yes
Temperature Controller	Digital
H/P	1/4

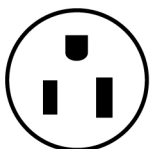
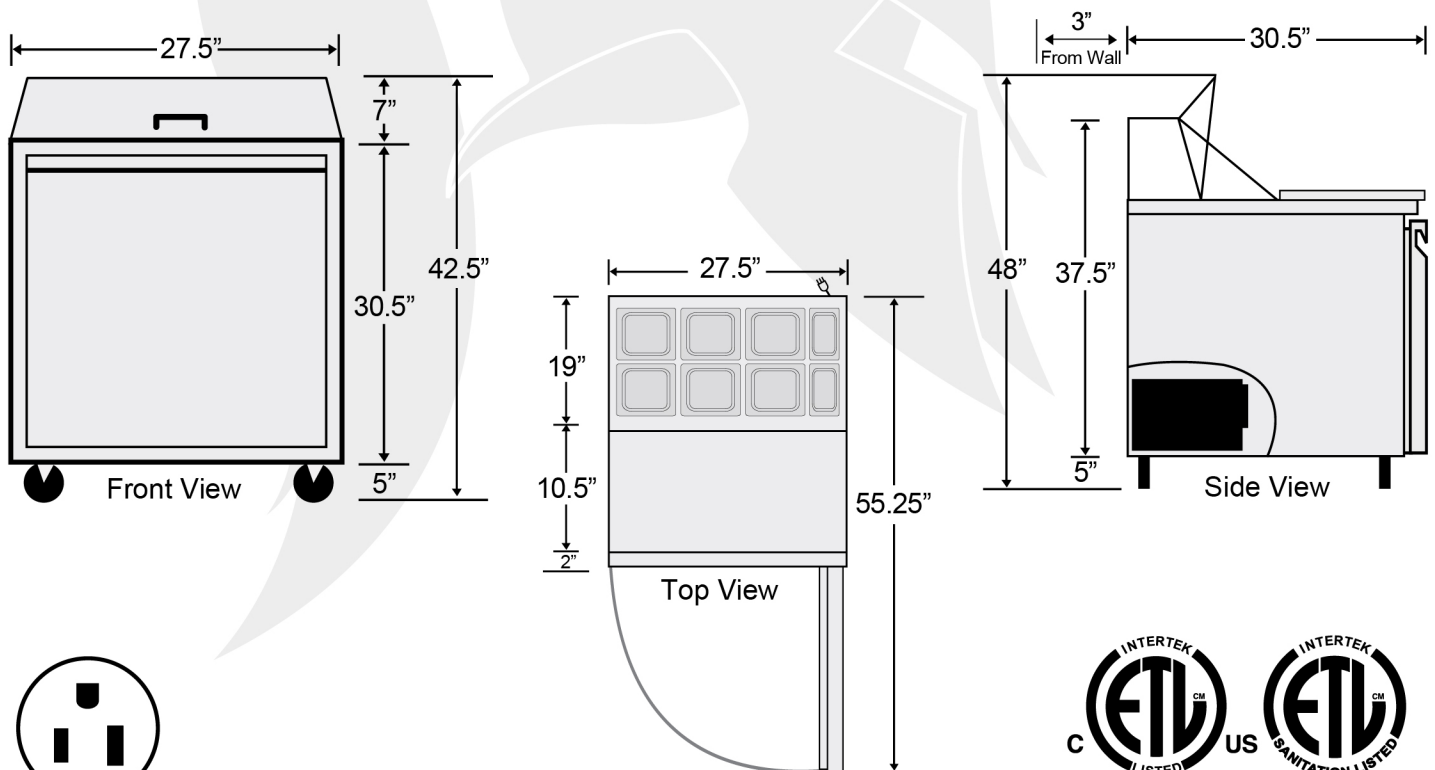
Construction

Exterior Material	430 series stainless steel
Interior Material	304 series stainless steel
Insulation Material	Foamed in place polyurethane
Shelf Material	Plastic coated steel
Shelf Load Capacity	90 lbs

*Does not include pans

Electrical

Voltage	120
Amps	3.8
Hz	60
Phase	1



NEMA 5-15P



COMPLIES WITH ANSI/NSF 7 FOR FOOD SERVICE