



SPR-72 2 DOOR PIZZA PREP TABLE

UNITS MANUFACTURED PRIOR 10-1-18

INCLUDE 1 YEAR PARTS + LABOR / 5 YEAR COMPRESSOR WARRANTY

UNITS MANUFACTURED AFTER 10-1-18

INCLUDE 2 YEAR PARTS + LABOR / 5 YEAR COMPRESSOR WARRANTY

Dimensions

Exterior Dimensions (WxDxH)	71" x 31.5" x 43"
Interior Dimensions Top (WxDxH)	63.25" x 10" x 13"
Interior Dimensions Bottom (WxDxH)	48.5" x 27.25" x 23.75"
Cutting Board Dimensions (WxDxH)	70.75" x 19.5" x .75"
Net Volume (cu. ft.)	17 cu. ft.
Gross Weight	494 lbs
Packaging Dimensions (WxDxH)	75" x 36" x 47.5"

Cooling

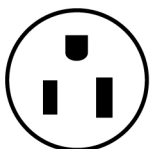
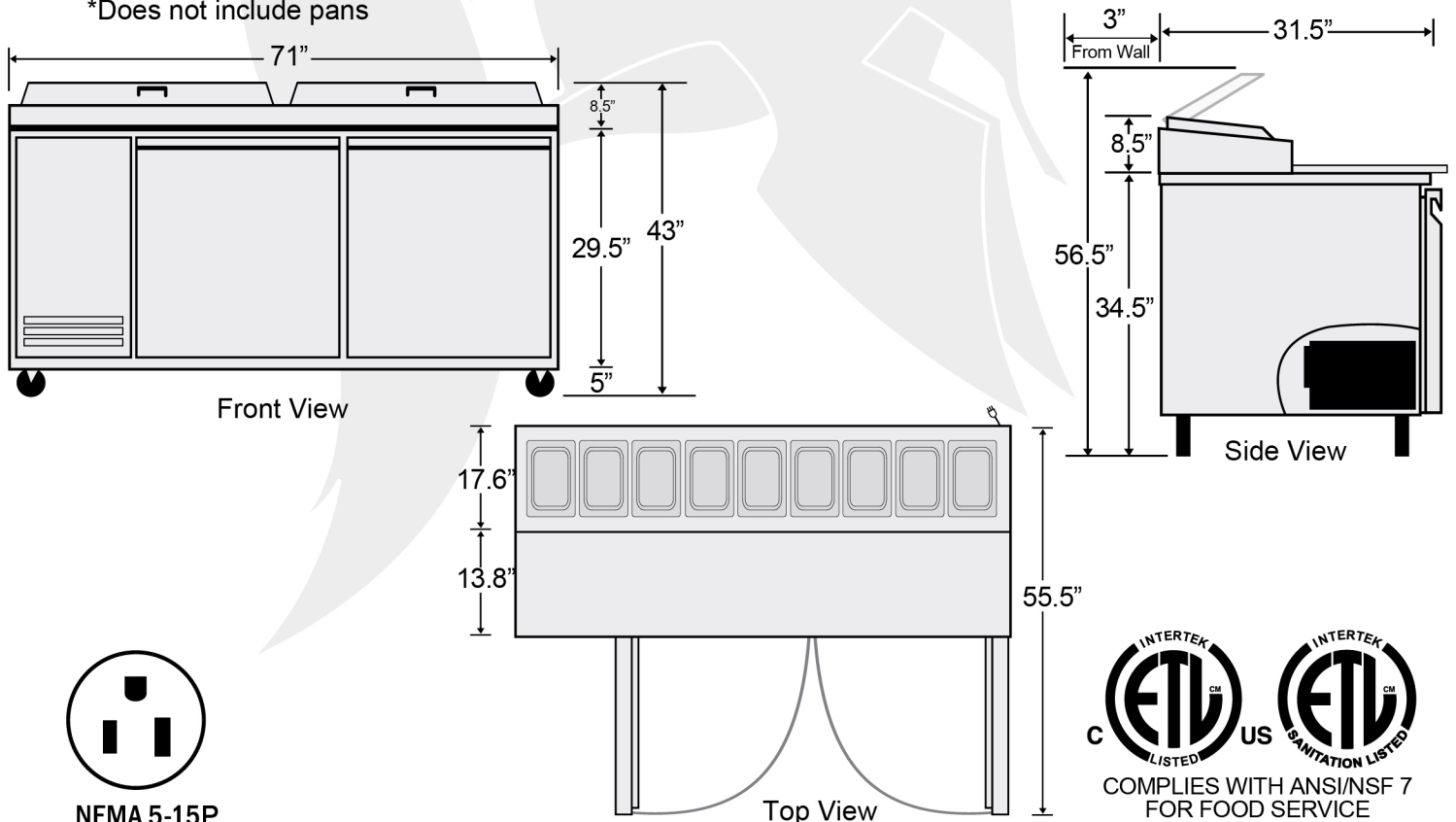
Temperature Range	33° - 40° F
Refrigerant	R290
Maximum Ambient Temperature Rating	90° F
Defrosting	Automatic
Temperature Display	Yes
Temperature Controller	Digital
H/P	1/3

Construction

Exterior Material	430 series stainless steel
Interior Material	304 series stainless steel
Insulation Material	Foamed in place polyurethane
Shelf Material	Plastic coated steel
Shelf Load Capacity	90 lbs
*Does not include pans	

Electrical

Voltage	120
Amps	8.2
Hz	60



NEMA 5-15P



COMPLIES WITH ANSI/NSF 7 FOR FOOD SERVICE