



## SMIM-500 ICE MACHINE

INCLUDE 2 YEAR PARTS + LABOR / 5 YEAR COMPRESSOR WARRANTY

### Dimensions

Overall Dimensions (WxDxH)	30" x 32.6" x 67.6"
Machine Dimensions (WxDxH)	30" x 24.3" x 22.4"
Bin Dimensions (WxDxH)	30" x 32.7" x 45.3"
Output (lb/24hr)	500 lbs
Bin Capacity	275 lbs
Net Weight (Machine)	144 lbs
Gross Weight (Machine)	155 lbs
Net Weight (Bin)	100 lbs
Gross Weight (Bin)	111 lbs
Packaging Dimensions (Main Machine) (WxDxH)	33.2" x 29.5" x 24.4"
Packaging Dimensions (Ice Bin) (WxDxH)	33.4" x 35" x 41.5"
Ice Cube Size half cube	.86"x.86".86"

### Cooling

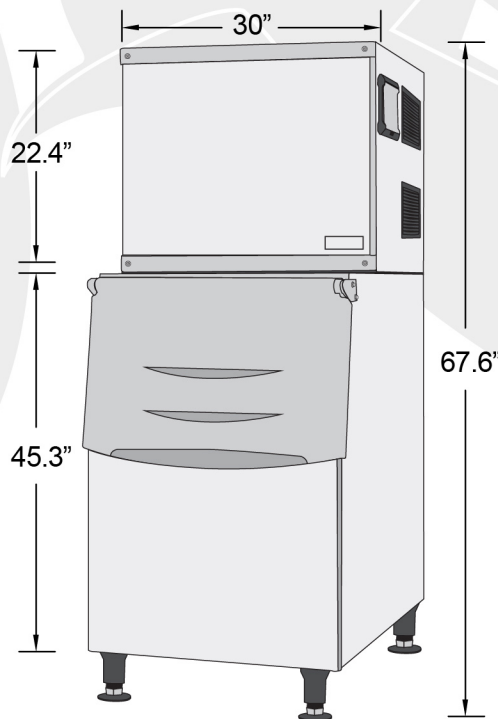
Refrigerant	R290
Temperature Display	Yes
Temperature Controller	Digital
Condenser Unit	Air
Compressor	Secop

### Electrical

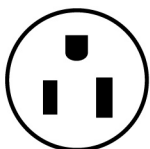
Voltage	115
Power	1113W
Hz	60

### Construction

Exterior Material	304 stainless steel
Interior Material	Polyethylene
Water Filter Capacity	2.2 GPM
UV Light Included For Sanitation	



3/4 View



NEMA 5-15P



Intertek

COMPLIES WITH ANSI/NSF 7  
FOR FOOD SERVICE