



## SBC-50 50" BOTTLE COOLER

UNITS MANUFACTURED PRIOR 10-1-18

INCLUDE 1 YEAR PARTS + LABOR / 5 YEAR COMPRESSOR WARRANTY

UNITS MANUFACTURED AFTER 10-1-18

INCLUDE 2 YEAR PARTS + LABOR / 5 YEAR COMPRESSOR WARRANTY

### Dimensions

Exterior Dimensions (WxDxH)	49.5" x 26.5" x 34"
Interior Dimensions (WxDxH)	45.5" x 21" x 25.5"
Net Volume (cu. ft.)	13 cu. ft.
Gross Weight	181 lbs
Packaging Dimensions (WxDxH)	54.5" x 32.5" x 42.5"
Electrical Cord Length	98.5"
Cases of Beer	18

### Cooling

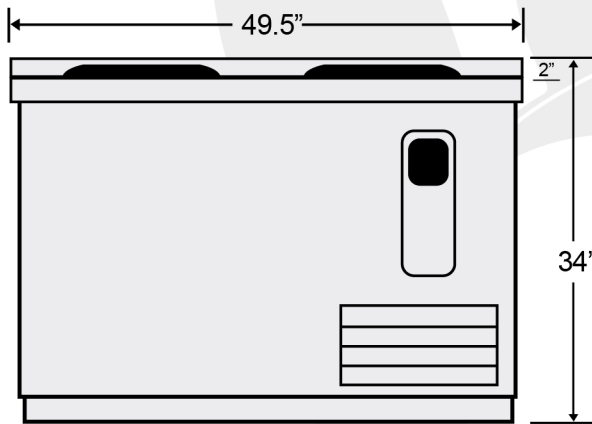
Temperature Range	33° - 40° F
Refrigerant	R290
Maximum Ambient Temperature Rating	90° F
Defrosting	Automatic
Cooling System	Ventilated
Temperature Display	No
Temperature Controller	Mechanical
H/P	1/3

### Construction

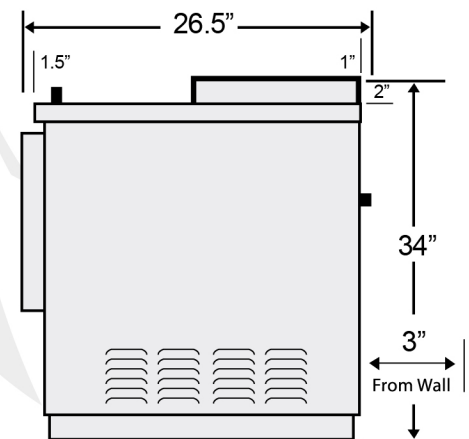
Exterior Material	Painted steel
Insulation Material	Foamed in place polyurethane
Shelf Material	Plastic coated steel
Shelf Load Capacity	132 lbs

### Electrical

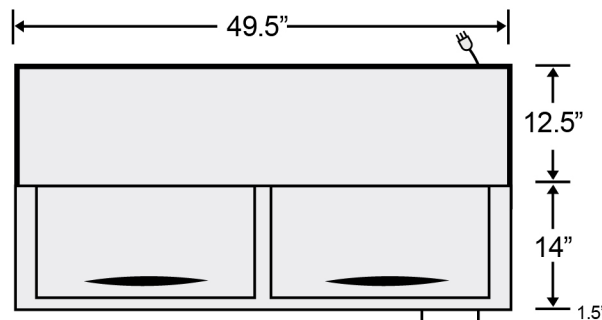
Voltage	115
Amps	8.0
Hz	60



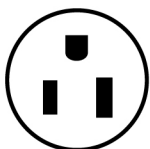
Front View



Side View



Top View



NEMA 5-15P



COMPLIES WITH ANSI/NSF 7 FOR FOOD SERVICE