



KRR-71

**INCLUDES 1 YEAR PARTS + LABOR/ 5 YEAR
COMPRESSOR WARRANTY**

STAINLESS STEEL REACH-IN REFRIGERATOR

Dimensions

| | |
|-------------------------------|-----------------------|
| Exterior Dimensions (Inches) | 82" x 31.75" x 83.25" |
| Interior Dimensions (Inches) | 77" x 27" x 58" |
| Packaging Dimensions (Inches) | 83.7" x 33.1" x 88.5" |
| Capacity (cu. ft.) | 71 cu. ft. |
| Gross Weight (lbs) | 617 lbs |

Construction

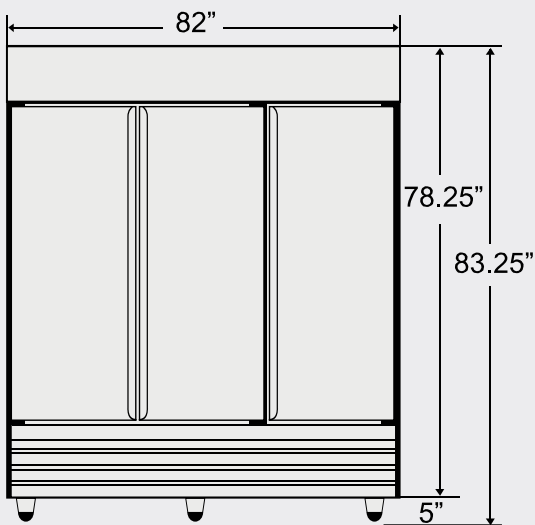
| | |
|------------------------------|----------------------------|
| Exterior Material | 430 series stainless steel |
| Interior Material | Plastic Coated |
| Insulation Material | Polyurethane |
| Insulation Thickness (mm) | 60 |
| # of Doors | 3 |
| # of Shelves | 9 |
| Shelf Material | Plastic coated steel |
| Shelf Load Capacity (lbs/pc) | 155 lbs |

Cooling

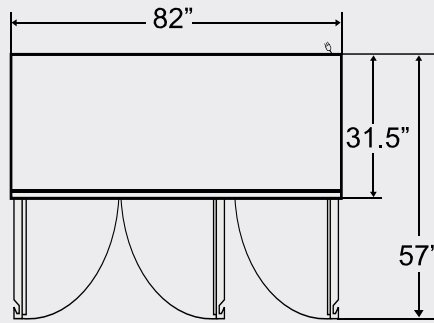
| | |
|------------------------------------|-------------|
| Temperature Range | 33° ~ 40° F |
| Refrigerant | R290 |
| Refrigerant Amount (oz) | 19.7 |
| Maximum Ambient Temperature Rating | 90° F |
| Defrost Method | Air Defrost |
| Defrost Power (W) | 0 |
| Cooling Method | Ventilated |
| Temperature Controller | Digital |
| Compressor H/P | 1/2 |

Electrical

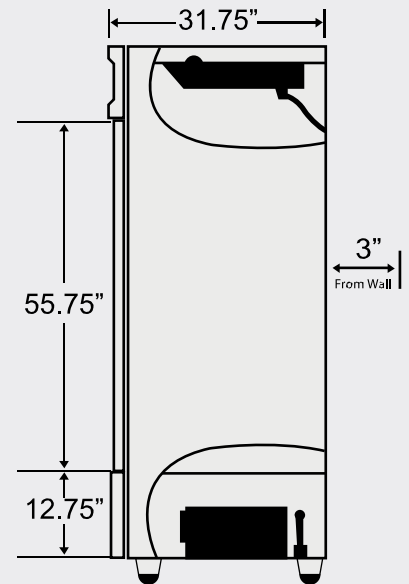
| | |
|-----------------------------|--------|
| Voltage (v/Hz) | 115/60 |
| Power (W) | 650 |
| Power Consumption (kw/24hr) | 3.4 |
| Phase | 1 |



Front View



Top View



Side View



NEMA 5-15P



COMPLIES WITH ANSI/NSF 7 FOR FOOD SERVICE