



KRR-46

**INCLUDES 1 YEAR PARTS + LABOR/ 5 YEAR
COMPRESSOR WARRANTY**
STAINLESS STEEL REACH-IN REFRIGERATOR

Dimensions

Exterior Dimensions (Inches)	54" x 32.2" x 82.4"
Interior Dimensions (Inches)	49.5" x 27" x 60.25"
Packaging Dimensions (Inches)	56.1" x 33.1" x 88.5"
Capacity (cu. ft.)	46 cu. ft.
Gross Weight (lbs)	531 lbs

Construction

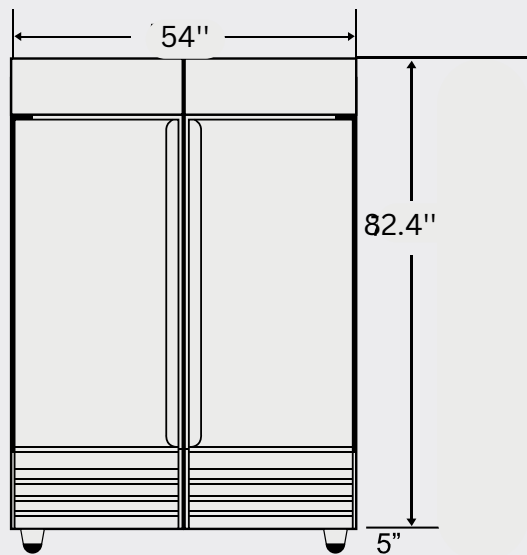
Exterior Material	430 series stainless steel
Interior Material	Plastic Coated
Insulation Material	Polyurethane
Insulation Thickness (mm)	60
# of Doors	2
# of Shelves	6
Shelf Material	Plastic coated steel
Shelf Load Capacity (lbs/pc)	155 lbs

Cooling

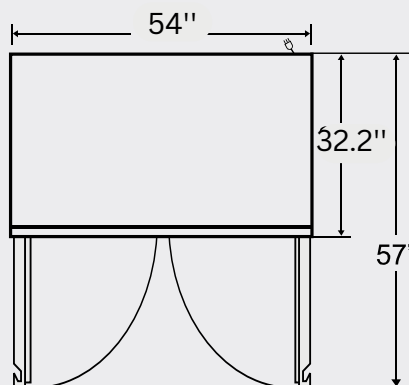
Temperature Range	33° ~ 40° F
Refrigerant	R290
Refrigerant Amount (oz)	13.4
Maximum Ambient Temperature Rating	90° F
Defrost Method	Air Defrost
Defrost Power (W)	0
Cooling Method	Ventilated
Temperature Controller	Digital
Compressor H/P	1/3

Electrical

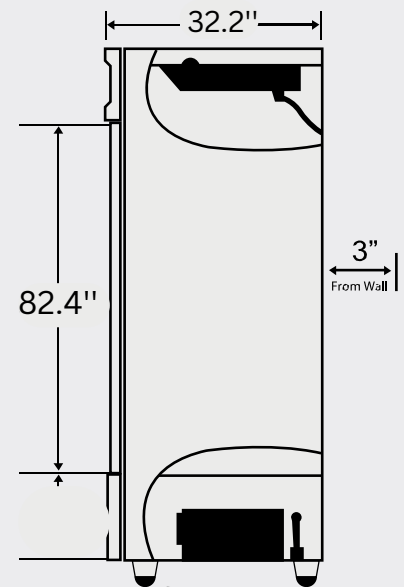
Voltage (v/Hz)	115/60
Power (W)	590
Power Consumption (kw/24hr)	2.3
Phase	1



Front View



Top View



Side View



NEMA 5-15P



COMPLIES WITH ANSI/NSF 7 FOR FOOD SERVICE