



KPT-67

**INCLUDES 1 YEAR PARTS + LABOR/ 5 YEAR
COMPRESSOR WARRANTY
STAINLESS STEEL PIZZA PREP**

Dimensions

Exterior Dimensions (Inches)	67" x 33.125" x 44.5"
Interior Dimensions Top (Inches)	65" x 13" x 8"
Interior Dimensions Bottom (Inches)	49" x 26" x 24"
Packaging Dimensions (Inches)	69.7" x 35.2" x 45.4"
Capacity (cu. ft.)	17 cu. ft
Gross Weight (lbs)	494 lbs

Construction

Exterior Material	430 series stainless steel
Interior Material	Plastic Coated
Insulation Material	Polyurethane
Insulation Thickness (mm)	45
# of Doors	2
# of Shelves	2
Shelf Material	Plastic coated steel
Shelf Load Capacity (lbs/pc)	155 lbs

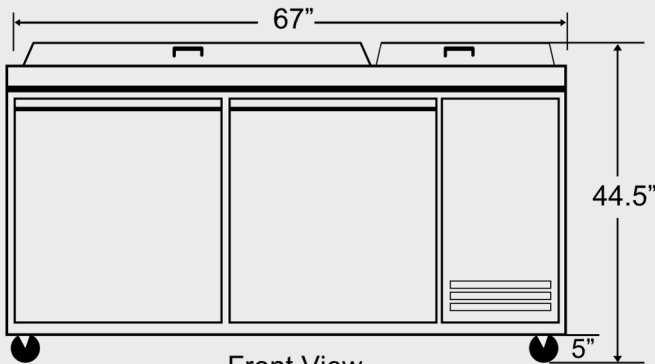
*Does not include pans

Cooling

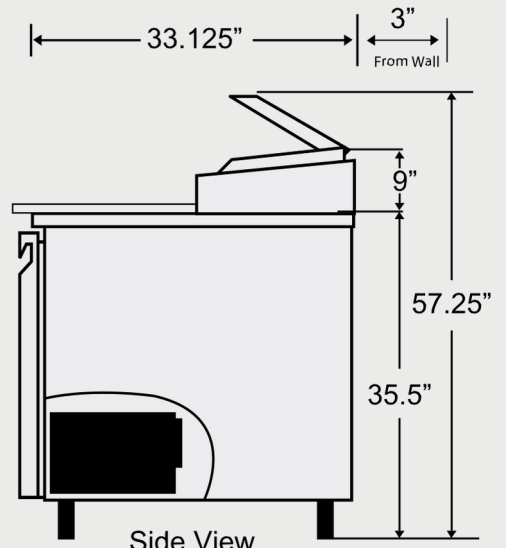
Temperature Range	33° ~ 40° F
Refrigerant	R290
Refrigerant Amount (oz)	11.6
Maximum Ambient Temperature Rating	90° F
Defrost Method	Air Defrost
Defrost Power (W)	0
Cooling Method	Ventilated
Temperature Controller	Thermostat
Compressor H/P	2/3

Electrical

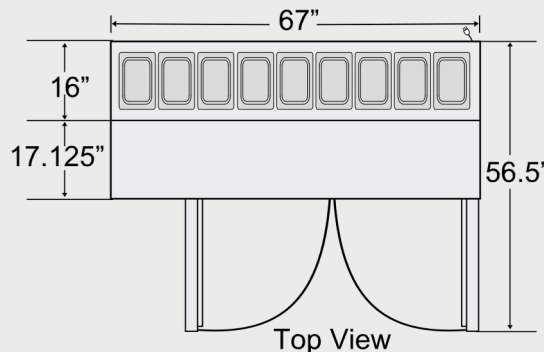
Voltage (v/Hz)	115/60
Power (W)	630
Power Consumption (kw/24hr)	2.5
Phase	1



Front View



Side View



Top View



NEMA 5-15P

