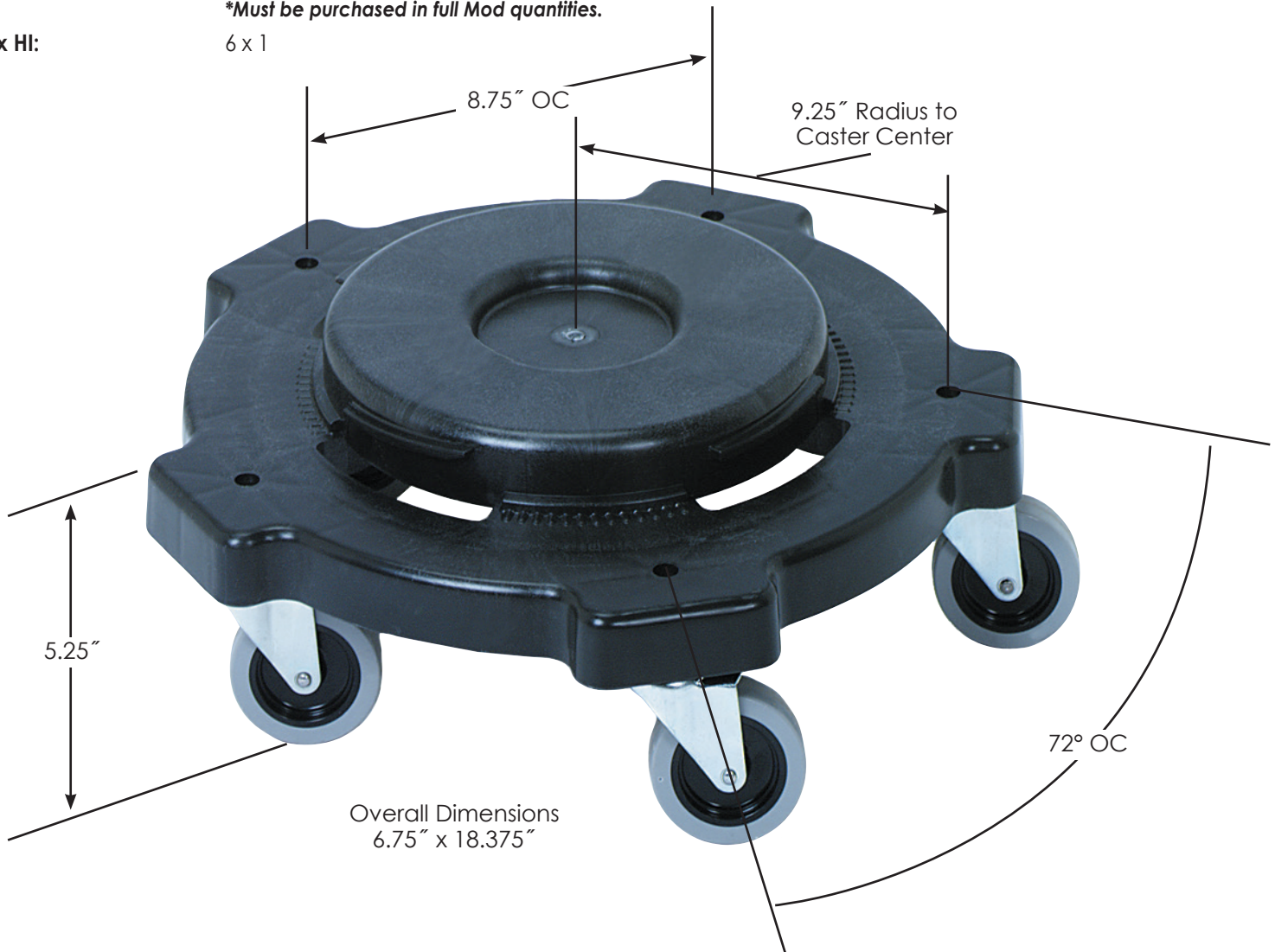


Huskee® Dolly

Detailed Description:	#3255-8 Huskee Dolly
Material:	High Density Polyethylene
Caster Size:	3" Non-Marking, Grey, All-Swivel
Usage:	Fits Huskee™ Round (20, 32, 44 & 55 gallon) Fits Huskee™ Square (32 gallon)
Capacity:	250 lb. (US)
Available Colors:	Black
Pack Quantity:	8 Each / Carton
Shipping Weight:	47.28 lbs.
Pack Cube:	6.60 ft.
Modular Quantity:	6 Cartons / Mod*
	<i>*Must be purchased in full Mod quantities.</i>
TI x HI:	6 x 1



CONTINENTAL
COMMERCIAL PRODUCTS®

© 10.2021, CCP | ccpmfg.com | 800.325.1051

