

# INITIAL LOADING INSTRUCTIONS

[Click to Watch the How To Video](#)

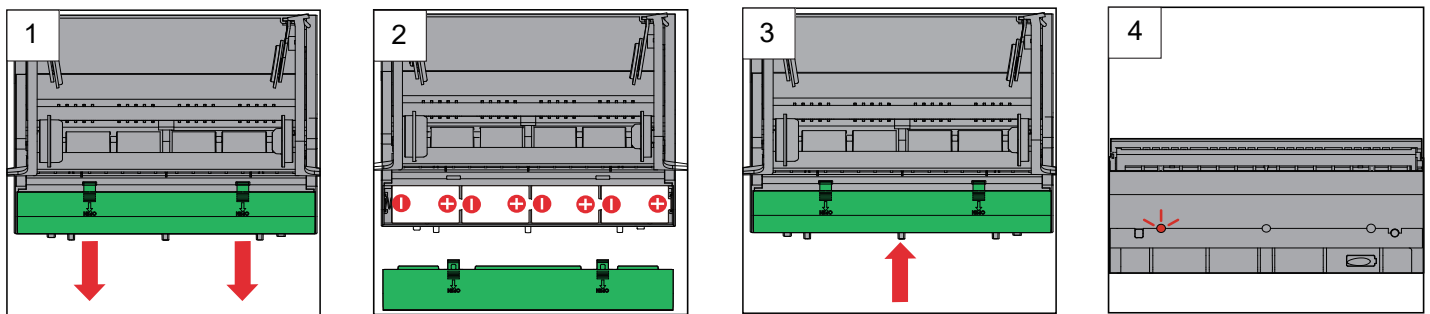
## Revo™ Electronic Hands-Free Towel Dispenser



### Loading Batteries

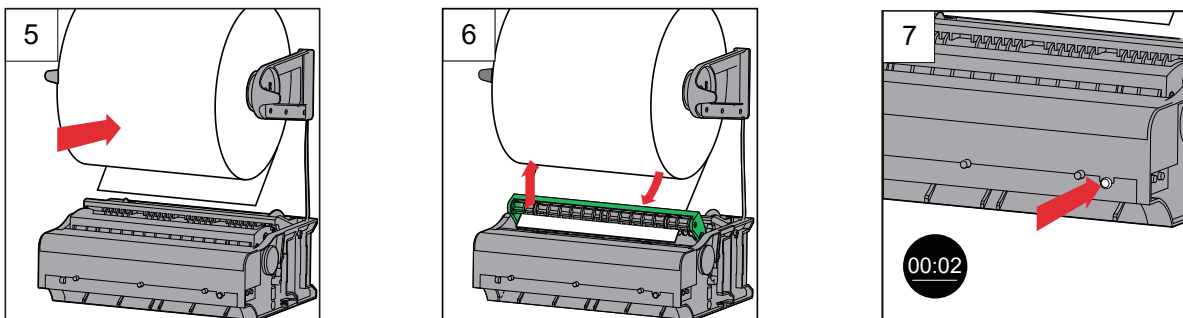
1. Open cover. Using two fingers, press “OPEN” on the top of the battery compartment cover and pull forward. Remove the battery box cover. (Figure 1)
2. Insert four new batteries ensuring the polarity is correct. (Figure 2)
3. Reinstall the battery box cover. (Figure 3)
4. When the battery power is low, the red low battery light will flash. (Figure 4)

**NOTE:** Use only alkaline D size batteries.



### Main Roll Loading

1. Load towel roll into roll holders, so that the paper feeds down from the back of the roll. (Figure 5)
2. Lift the front pressing roller bracket and place the leading edge of the paper under the pressing roller bracket. Then release the pressing roller bracket. (Figure 6)
3. Press the sheet feed button, on the right side of the module, until the paper exits the dispenser. (Figure 7)
4. Tear off paper and close the cover securely.



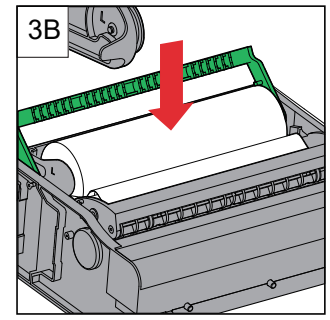
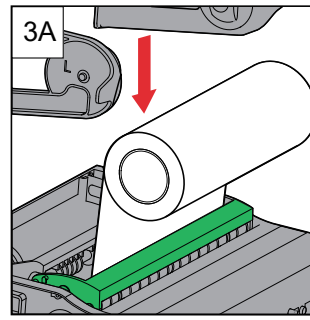
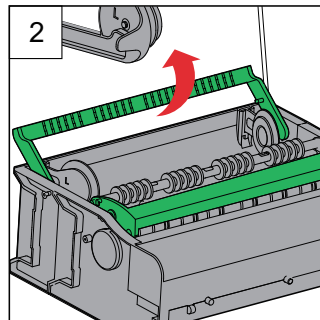
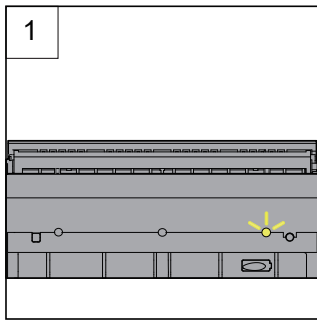
# **STUB ROLL** **LOADING INSTRUCTIONS** **Revo™ Electronic Hands-Free Towel Dispenser**

[Click to Watch the How To Video](#)

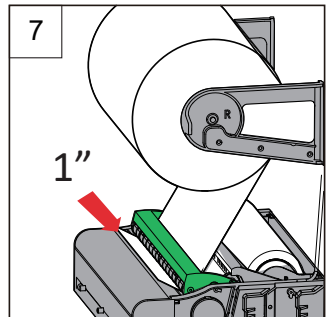
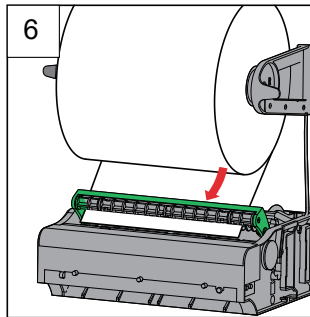
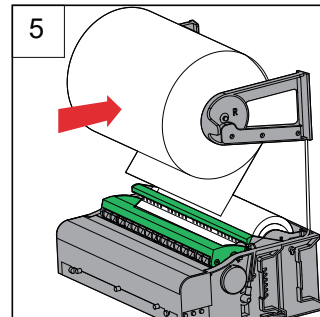
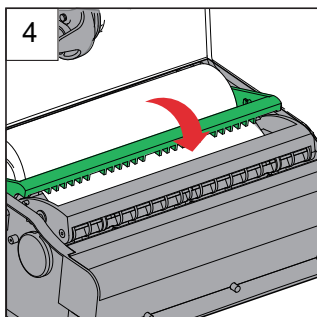


## **Stub Roll Loading**

1. When the paper roll volume is less than 5%, the yellow light will flash. (Figure 1)
2. Open cover, lift the rear green stub roll pressing bracket up and push to the back of the unit. (Figure 2)
3. Remove the used roll, and insert into the stub roll holders. (Figures 3A & 3B)



4. Move the stub roll pressing bracket back to the front position. (Figure 4)
5. Load the new main roll towel roll into the upper roll holders, making sure paper feeds from the back of the roll. (Figure 5)
6. Lift the front pressing roller bracket and pull the leading edge of the main paper roll under the front green pressing roller bracket, then release the pressing roller bracket. (Figure 6)
7. Ensure that the length of the leading edge of paper for the main roll is one inch. (Figure 7)
8. Close the cover securely. There is a four second delay before the unit is activated. The stub roll will continue to dispense until the stub roll is empty, then automatically switch to the new main roll.





# OPERATING INSTRUCTIONS

## Revo™ Electronic Hands-Free Towel Dispenser

### OPERATION

#### Adjusting the Paper Activation Sensor (Figure 1-A)

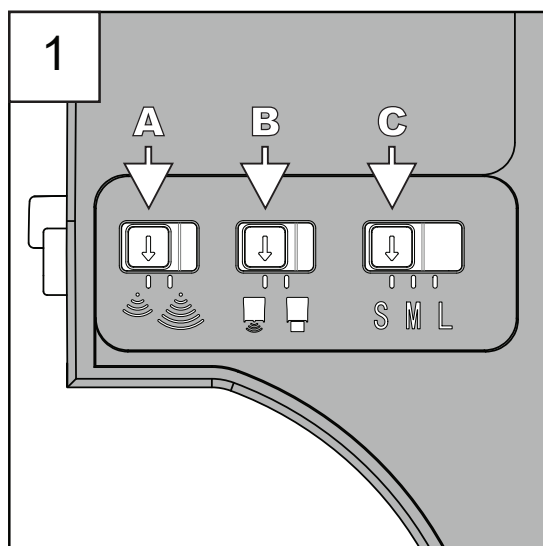
To adjust the hand sensor activation range, move the toggle switch left for short range (2 to 4 inches) or right for long range (4 to 6 inches).

#### Setting the Operating Mode (Figure 1-B)

For hidden mode (or sensor activating mode) move the toggle switch to the left. For hanging paper mode (or butler mode) move the toggle switch to the right.

#### Adjusting the sheet length (Figure 1-C)

The dispenser is preset with three paper length settings: **Short** (10"), **Medium** (12") or **Long** (14"). To adjust the sheet length, move the switch to the desired setting.



#### Low Battery Indicator Light (Figure 2)

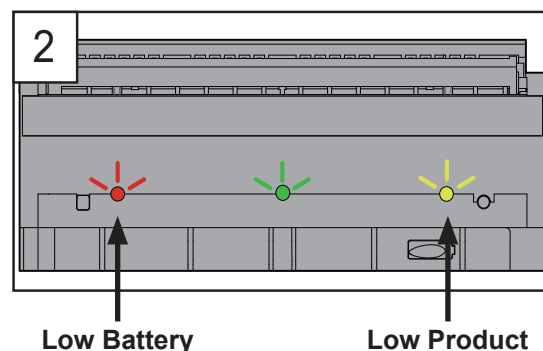
The low battery indicator light will flash red when batteries are low. Install new batteries.

#### Low Product Indicator Light (Figure 2)

The low product indicator light will flash yellow when the roll towel volume is less than 5%. When this light is flashing, transfer the used roll to the stub roll feature (see stub roll loading instructions) and add a new roll to the main roll holders.

#### Paper Jam Alert Indicator Light (Figure 2)

During use, if there is a paper jam, the red and yellow indicator lights will flash as notification of the paper jam. Open the cover. Inspect and clear the paper jam. Once the cover is closed, the unit will reset and the alert indicator lights will shut off.



#### Using the DC Adaptor (Figure 3)

Please only use the approved DC 6V adaptor. Follow Figure 3 for instructions on inserting the cable into the slot.

