

CBOD-50 Oil Disposal

MODEL: CBOD-50

DESCRIPTION: FRY OIL DISPOSAL UNIT

DIMENSIONS (DWH): 15-3/8" X 32" X 48"



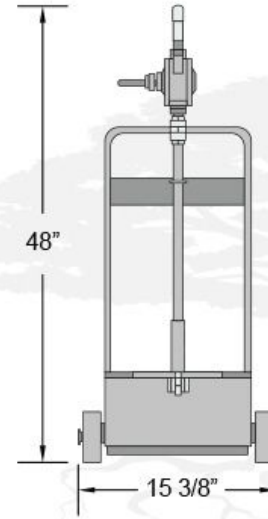
FEATURES

- SIMPLE, SAFE AND SANITARY WAY TO DISPOSE OF WASTE OIL FROM COMMERCIAL FRYERS
 - 9-5/8" DRAIN HEIGHT WITH THE COVER OPEN
- LOW CENTER OF GRAVITY MAKES IT EXTREMELY STABLE
- HEAVY DUTY MANUAL PUMP AND ONE-WAY CHECK VALVE
 - EASY TO OPERATE, AND CAN EMPTY 50 LB. OF OIL IN LESS THAN 60 SECONDS
- HEAVY DUTY 6" WHEELS MAKE IT EASY TO TRANSPORT OIL, EVEN ACROSS PARKING LOTS WITH NO LIFTING NECESSARY
 - CARTON BOX PACKING

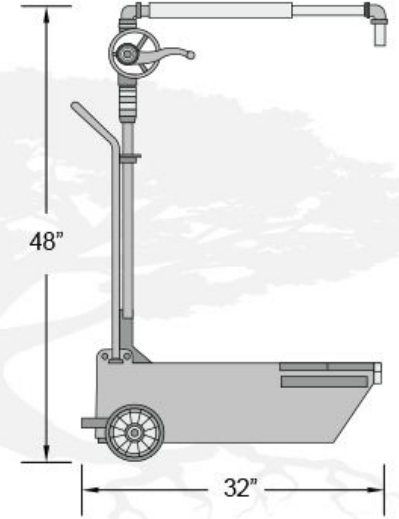
OTHER MODELS AVAILABLE



Technical Information



Front View



Side View