

# BISON

## REFRIGERATION

Units Manufactured Prior 10-1-18

Include 1 Year Parts + Labor / 5 Year Compressor Warranty

Units Manufactured After 10-1-18

Include 2 Year Parts + Labor / 5 Year Compressor Warranty

### BRF-46 2 Door Stainless Reach-In Freezer

#### Dimensions

Exterior Dimensions (Inches)	54.5" x 31.5" x 83.25"
Interior Dimensions (Inches)	50" x 27" x 58"
Packaging Dimensions (Inches)	56.1" x 33.1" x 88.5"
Capacity (cu. ft.)	46 cu. ft.
Gross Weight (lbs)	419 lbs

#### Cooling

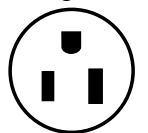
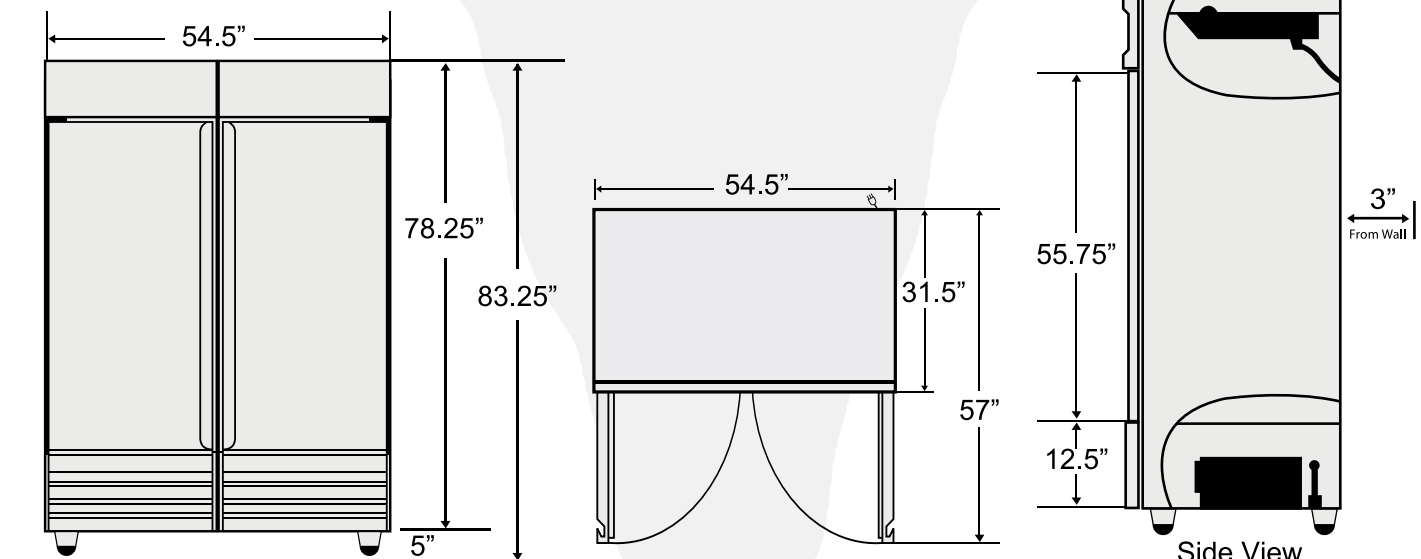
Temperature Range	-8° ~ -1° F
Refrigerant	R290
Refrigerant Amount (oz)	19.4
Maximum Ambient Temperature Rating	90° F
Defrost Method	Electric Defrost
Defrost Power (W)	800
Cooling Method	Ventilated
Temperature Controller	Digital
Compressor H/P	3/4

#### Construction

Exterior Material	430 series stainless steel
Interior Material	430 series stainless steel
Insulation Material	Polyurethane
Insulation Thickness (mm)	60
# of Doors	2
# of Shelves	6
Shelf Material	Plastic coated steel
Shelf Load Capacity (lbs/pc)	155 lbs

#### Electrical

Voltage (v/Hz)	115/60
Power (W)	1170
Power Consumption (kw/24hr)	10
Phase	1



NEMA 5-15P



COMPLIES WITH ANSI/NSF 7 FOR FOOD SERVICE