



## AST-27 1 DOOR SANDWICH/SALAD PREP REFRIGERATOR

INCLUDE 3 YEAR PARTS + LABOR / 5 YEAR COMPRESSOR WARRANTY

### Dimensions

Exterior Dimensions (WxDxH)	27.5" x 30" x 42.5"
Interior Dimensions Top (WxDxH)	
Interior Dimensions Bottom (WxDxH)	
Cutting Board Dimensions (WxDxH)	
Capacity (cu. ft.)	6.55 cu. ft.
Weight	157 lbs
Packaging Dimensions (WxDxH)	

### Cooling

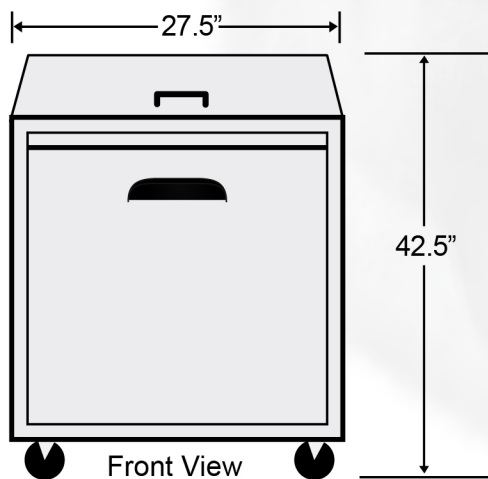
Temperature Range	32° - 41° F
Refrigerant	R290
Maximum Ambient Temperature Rating	
Defrosting	Automatic
Temperature Display	Yes
Temperature Controller	Digital
H/P	3/8

### Construction

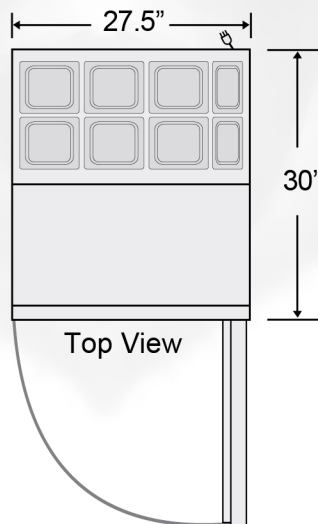
Exterior Material  
 Interior Material  
 Insulation Material  
 Shelf Material  
 Shelf Load Capacity  
 # Shelves 1  
 \*Does not include pans

### Electrical

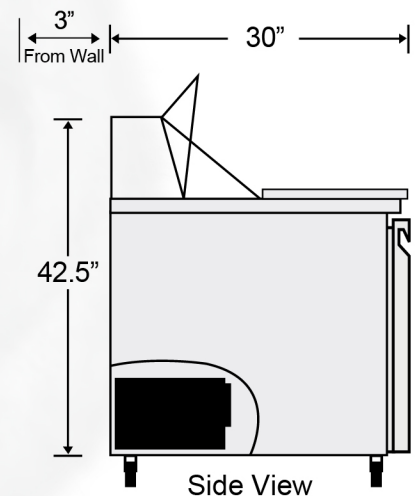
Voltage 115  
 Amps  
 Hz  
 Phase



Front View



Top View



Side View

