



## AGF-12 1 DOOR REACH-IN GLASS DOOR FREEZER

INCLUDE 3 YEAR PARTS + LABOR / 5 YEAR COMPRESSOR WARRANTY

### Dimensions

Exterior Dimensions (WxDxH)	24.9" x 23.2" x 63.2"
Interior Dimensions (WxDxH)	20.2" x 18" x 48.2"
Capacity (cu. ft.)	10.16 cu. ft. or 287.7lbs
Unpackaged Weight	219.36 lbs
Packaging Dimensions (WxDxH)	26.3" x 24.7" x 67.1"

### Construction

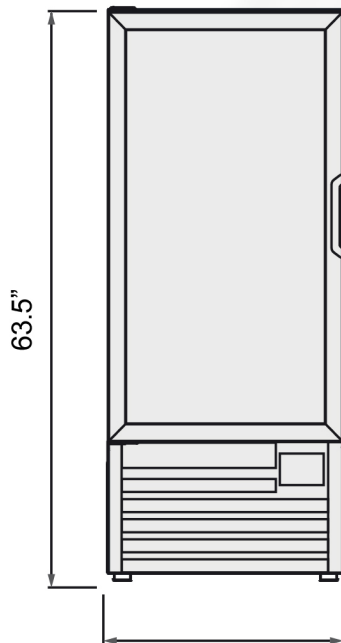
Exterior Material	Pre-painted steel
Interior Material	Pre-painted steel
Insulation Material	
Doors	1
Door Material	V7 Plastic Frame
Shelf Size (WxD)	19.3" x 16.3"
# Shelves	3
Shelf Load Capacity	

### Cooling

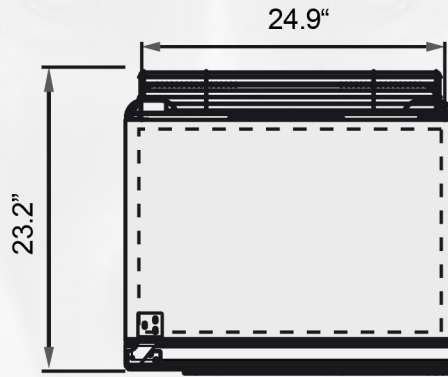
Temperature Range	-24° - 11.2° F
Refrigerant	R290
Maximum Ambient Temperature Rating	
Defrosting	Automatic
Temperature Display	Yes
Temperature Controller	Digital
H/P	1/2

### Electrical

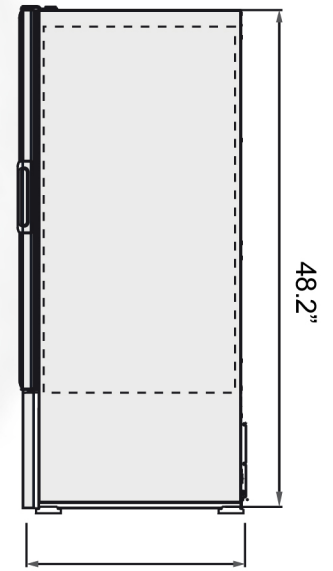
Voltage	115
Amps	5.1A
Hz	60
Controller	CIF



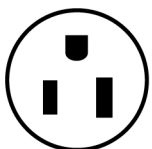
24.9"  
Front View



Top View



23.2"  
Side View



NEMA 5-15P

